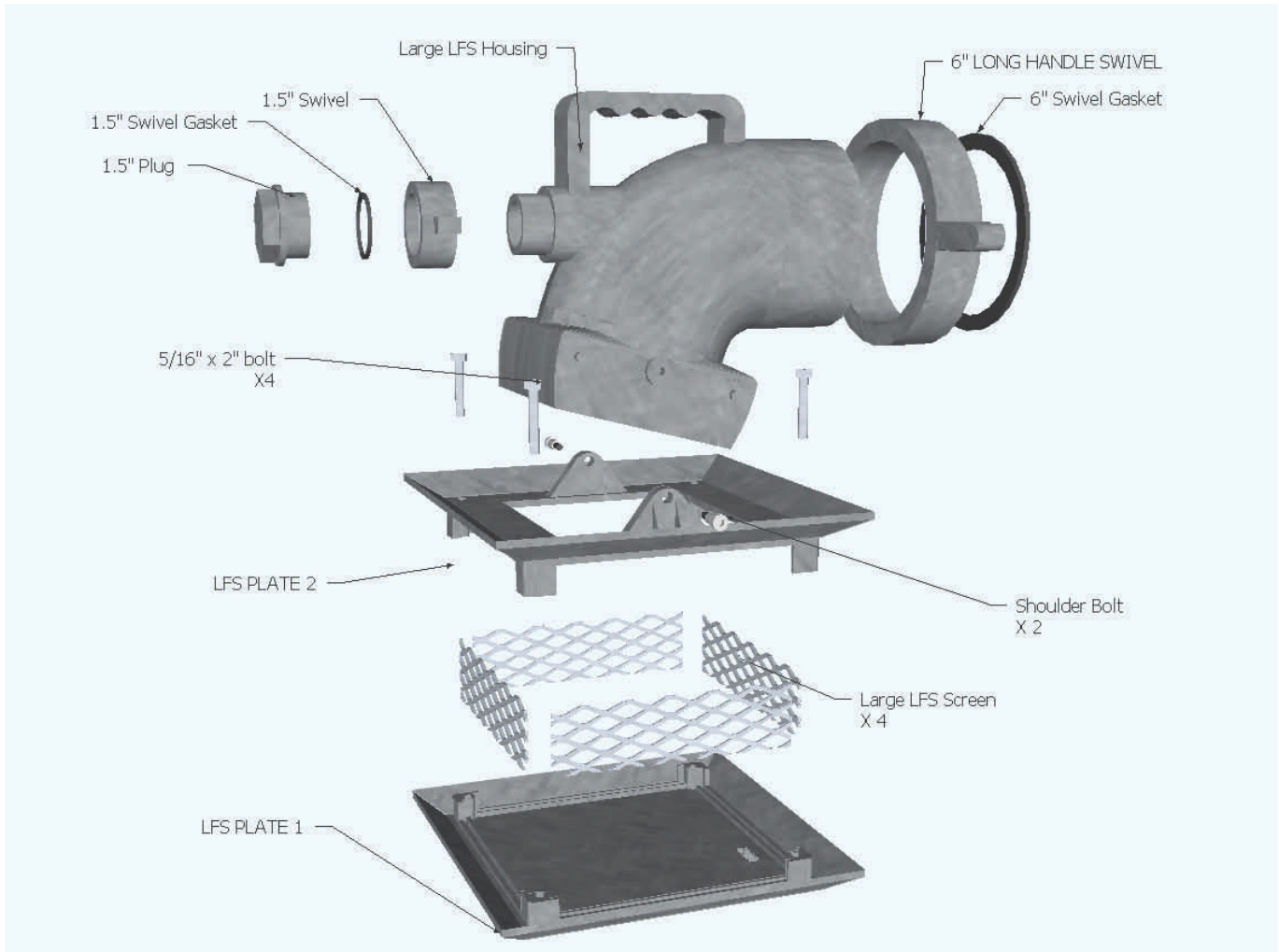


# LOW-FLOW LOW LEVEL STRAINERS SPECIFICATIONS & PARTS LIST



## Construction Features:

- Professionally designed & engineered for maximum pumping capacity
- Al-Mag castings - proven to be the toughest in the industry!
- Strainer will perform at maximum pumping capacity down to a water level of just 1.5" with no suction loss
- Long handle swivels with standard NH or NPSH threads
- Surface turbulence will not affect this strainer
- Shown with optional 1.5" Water Transfer Device - available on sizes 4" to 6"
- The Low-Flow is easily stored in truck compartments and can be pre attached to hard suction hose
- 6" Low-Flow strainer rate is capable of 1700 GPM (add 250 GPM when using 1.5" water transfer device). \*These rates may vary according to you pumps set up (lift ratio and friction loss).

**(NFPA 1142 Compliant)**



FOL-DA-TANK COMPANY  
P.O. BOX 110—MILAN, IL. 61264  
PHONE: 309-787-3500  
FAX: 309-787-3635

WWW.FOL-DA-TANK.COM

**LOW-FLOW  
LOW LEVEL STRAINERS  
SPECIFICATIONS & PARTS LIST**

Description	Model 2.5 & 3.0	Model 4.0	Model 4.5	Model 5.0	Model 6.0	Pieces Required
Housing	SMH 2.5 SMH 3.0	LGH4	LGH4.5	LGH5	LGH6	1
Long Handle Swivel	LH2.5 LH3.0	LH4	LH4.5	LH5	LH6	1
Bearings	B2.5 B3.0	B4	B4.5	B5	B6	1 SET
Set Screw	SETS125	SETS.375	SETS.375	SETS.375	SETS.375	1
Top Plate	TPSM	TPLG	TPLG	TPLG	TPLG	1
Bottom Plate	BPSM	BPLG	BPLG	BPLG	BPLG	1
Top Plate Bolts	5/16-1 1/4	3/8-1 1/2	3/8-1 1/2	3/8-1 1/2	3/8-1 1/2	4
Shoulder Bolts	3/8-1/2	3/8-1/2	3/8-1/2	3/8-1/2	3/8-1/2	2
Filter Screen	SCR1-6	SCR2.5-8.375	SCR2.5-8.375	SCR2.5-8.375	SCR2.5-8.375	4
Dimensons	10"X10"X8 1/2"	16"X13"X12"	16"X13"X12"	16"X13"X12"	16"X13"X12"	
Shipping Weight	10lbs.	23lbs.	23lbs.	24lbs.	24lbs.	

\*Part number shown for housing with National Standard Threads (NST). Other Housing available.

\*Dimensions are measured with nozzle in lowered position.

Jet Assist Parts	1 1/2" Plug	1 1/2" Swivel	Gasket	Bearings	Set Screw
------------------	-------------	---------------	--------	----------	-----------